



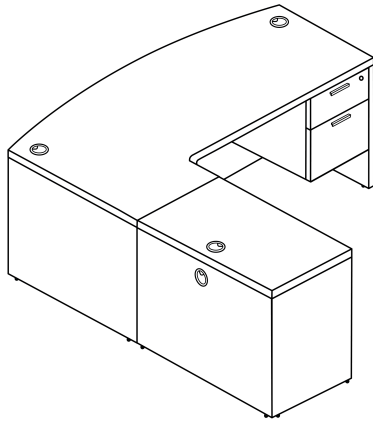
RAYNE L SHAPED EXTENDED CORNER BOW FRONT DESK WITH DOUBLE SUSPENDED PEDESTALS, 71" X 84" - LEFT-HANDED

SKU: RN-EBD7184P-1L

Rayne laminate extended corner desk with bow front and four drawers. This desk is only used for left-handed configurations. This is the 71" depth x 84" width version.

Categories: [Desking](#), [L-Shaped Desks](#)

Tags: [Rayne](#)



PRODUCT FEATURES

- Left handed configurations only
- Executive bow front that measures 41" at the deepest point
- Rounded inner corner for accessibility
- Matte Black handles are standard on Coastal Dune
- Brushed Nickel handles are standard on Harbor Elm
- Black Grommets are standard on Coastal Dune
- Silver Grommets are standard on Harbor Elm
- Pedestals arrive fully assembled
- 3mm edge banding
- Flat edges
- Commercial quality
- Sustainably sourced wood
- Imported from Europe
- Weight Capacity: 150 lbs

PRODUCT DIMENSIONS

Overall Depth	71"
Overall Width	84"
Overall Height	29"
Overall Weight	292 lbs



[Rayne L Shaped Extended Corner Bow Front Desk with Double Suspended Pedestals, 71" x 84" - Left-Handed](#)



<https://i5industries.com/product/rayne-l-shaped-extended-corner-bow-front-desk-with-double-suspended-pedestals-71-x-84-l-h>

Main Desk Dimensions	70" x 84" D x 71" W x 29" H
Return Dimensions	23.75" D x 42" W x 29" H
Pedestal Dimensions	22" D x 15.5" W x 20" H

PRODUCT INFORMATION

Edge Type	Non-Fluted
Wood Grain Direction	Horizontal
Material	Laminate
Certifications	ANSI/BIFMA, UL Greenguard Gold, TSCA Title IV, CARB 2
Warranty	10 years
Assembly Information	Assembly required.
Product Codes	RN-EBD7184P-1L.CDN RN-EBD7184P-1L.HEM

NOTES
